



Model: 500/750 Ton	Oct. 23, 2018
Serial #: All	
Product Bulletin # TDS-190	

Improved Encoder Support Bracket Available

Objective

This is a product improvement intended to improve the longevity of the cable between the encoder and encoder junction box. This improved design provides better support for the encoder cable as it traverses the brake disc assembly.

Models Affected

All Canrig 500/750 ton AC top drives. The encoder cable support bracket kit is made for the 5 caliper brake disc assembly that is used on these models.

Recommendations

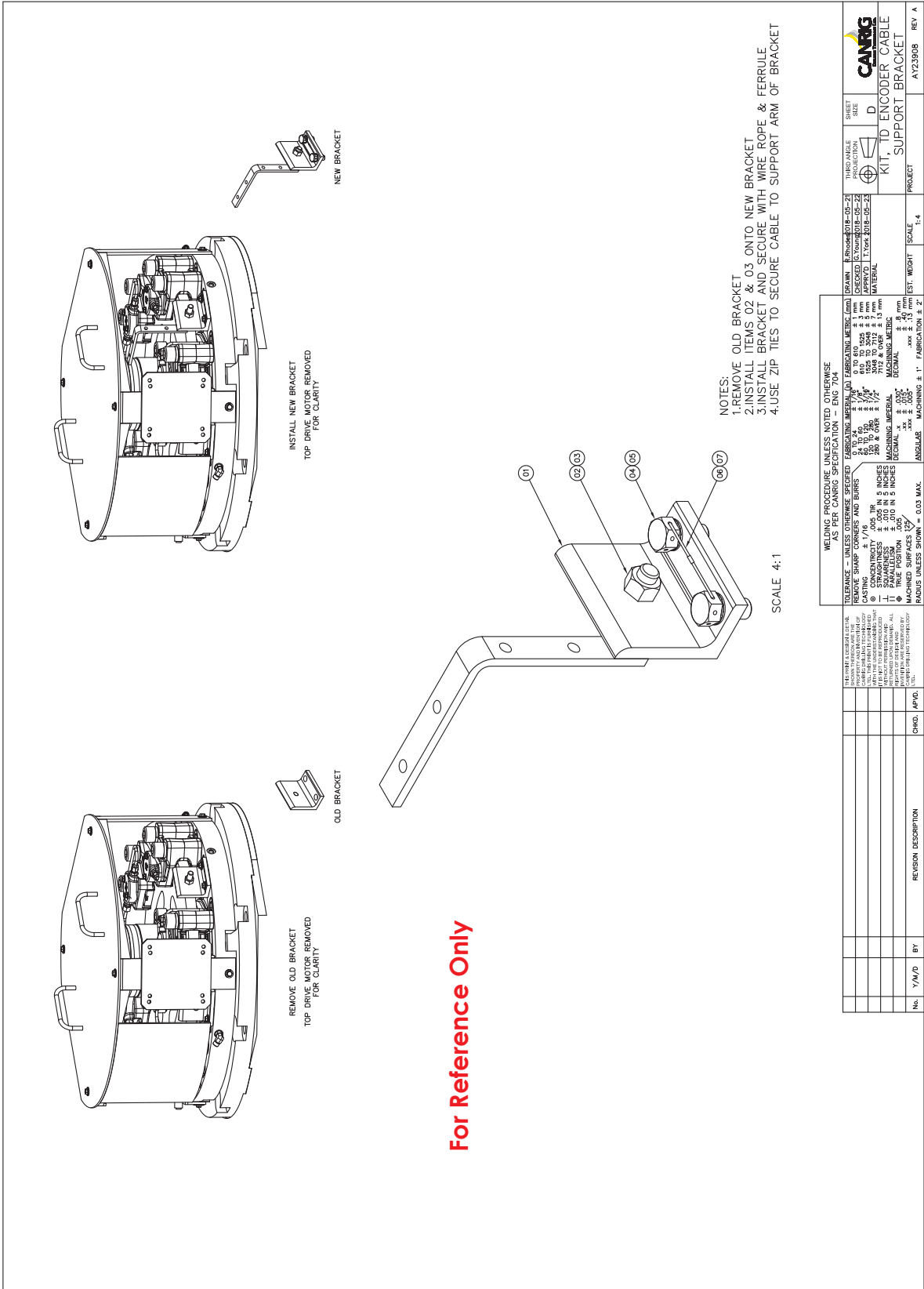
Install the encoder cable support bracket using the field installation kit Canrig P/N: AY23908 following the procedure described below.

Procedure

Follow steps below to install the encoder cable support bracket. See Figure 1 on page 2.

1. Follow local lock-out/tag-out procedures to isolate all types of energy to the top drive.
2. Remove the old bracket.
3. Bolt the new bracket into place.
4. Install fastener securement.
5. Adjust the encoder tether to align the encoder connector with the support arm.
6. Route the encoder cable along the support arm and secure in place with zip ties.
7. Remove lock-out/tag-out and recommission the top drive.

Contact RIGLINE 24/7™ Support if additional help is required.



For Reference Only

Figure 1: Top Drive Encoder Cable Support Bracket Kit (Canrig P/N: AY23908)